



Photoelectric Sensors

Glass Fiber Optics

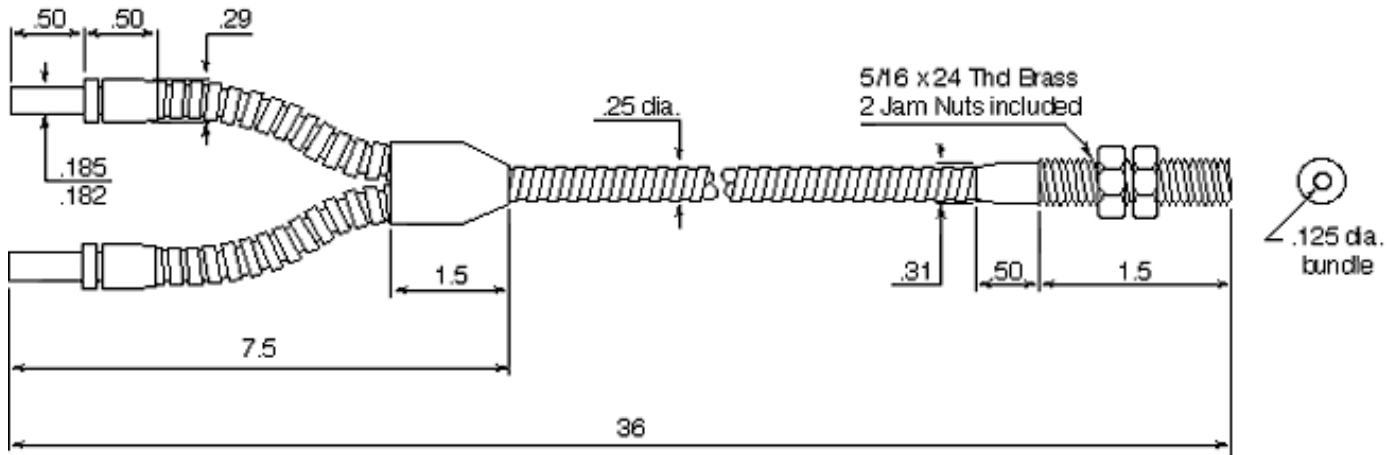
BT23S

Model: BT23S

Type: bifurcated, thread

Bundle Size: 3.2mm / .125in

Detail Drawing: [bt23smdii.pdf](#)



[[Print version of this page](#)]

Back

© 2005 Banner Engineering Corp.

9714 Tenth Avenue North • Minneapolis, Minnesota 55441 • (763) 544-3164 • Toll Free 1-800-809-7043